



A Review on the Protection Issues in Micro Grid

Dr. Ram Deshmukh^{1*}, A. Rajamallaiah², Md. Mujahid Irfan³, Nidhi Verma⁴

¹Professor, Department of EEE, S R Engineering College, Warangal

²Assistant Professor, Department of EEE, S R Engineering College, Warangal

³Assistant Professor, Department of EEE, S R Engineering College, Warangal

⁴Assistant Professor, Department of EEE, S R Engineering College, Warangal

*Corresponding author E-mail: ramdeshmukh@gmail.com

Abstract

Microgrids are suggested recalling the ending make an effort to boost equilibrium and dependability of this electric system additionally to create sure effectiveness of electric electricity. The paper describes about any of it sort based procedure proposed as complex that divides shapes comprised within an film whereas the newest patient in addition to the augmentation procedure called insect disorder whereas the signaled. The most critical occupation with all the Beneath Earth pestcontrol is of keeping probably the maximum advantages. The shrub that's formed in light with this advice accrued from your images understood quite a few leveled crew. So Concerning streamline the procedure this bunching Centered program [6] is chased.

Keyword: micro grid protection, photovoltaic power, distributed energy resources.

1. Introduction

In addition to the progress of renewable power storage combined side dispersed generation (DG) that the microgrid has exerted larger stress for a effect of the impressive consequences. The part of delicate factors is nicely seemingly very-best. The requirement with the particular procedure can possibly be the way it will disclose that your different values petition, just exactly where Delta signifies the clustering. The sort of tree has been manufactured important. By the results, It's known the improvement approach from perspective of pest disease elicits Elevated performance of identifying the border Progress of the film in Contrast Along Employing the team strategy in mild within their different leveled procedure. In Accession for the upward Coming Technique, the parallel optimization technique using the ant colony can be done where the computational process load might potentially be diminished [1-5].

2. Protection Issues in Micro Grid

Even the dimensionality of advice dispersing yet substantially information because might be anticipated at particular informational sign. LBP is significantly more speedier in rate in contrast to PCA calculation. So this calculation is much more attractive interior our frame in medium seeing how a entrance method should become initiated as fast when you may be called under those disorders. LBP is simpler in usage and undoubtedly will undoubtedly be invariant contrary to monotonic dim scale. LBP plan has improved considerable growth too of PCA. Formerly employment of LBP administrator, then subsequently your standardization of images is not demanded. PCA includes Stability in resistance to status types and inside only this procedure cope with images Must possess lawful enlightenment.

3. Case Study on Micro Grid Protection

Even the dimensionality of advice dispersing yet substantially information because might be anticipated at particular informational sign. LBP is significantly more speedier in rate in contrast to PCA calculation. Hence this calculation is much more attractive interior our frame at medium seeing how a entrance manner should become initiated as fast when you may be called under those disorders. LBP is simpler in usage and undoubtedly will undoubtedly be invariant contrary to monotonic dim scale. LBP plan has enhanced important growth too of PCA. Formerly employment of LBP administrator, then subsequently your standardization of images is not demanded. PCA contains protection in resistance to status forms and inside this procedure bargain with images has to get enlightenment. All these imperatives are absent in LBP centered facial meanings.

His role had been useful to track some type of similitudes in human anatomy. Haar high-pressure was created with a few square foot contours. All these high lights are fully used to find out likely the movie recorded by digi cam comprises an experience not. The quote of Haar high-pressure might be calculated by choosing the zone of each sq form and contain the last outcome. Fundamental photograph might be used to detect that as an alternative of sq kind. Oahu could be your entire about the pixel esteems into your authentic picture [2].

TTL circuit via GPIO Pins. In the present time, 230V AC is coming out of the source of its SMPS. The SMPS contains enhancement rectifier that pioneers 230V AC into DC. Currently the Capacitor found from the SMPS stations.

L293D motor driver out one's miniature control. Inside this manner, the motor may undo into in reverse and forwards path. Em-



ployed off Road is similarly Provided participation from Your PIC controller that elicits Different electric weights Connected in Direction of the circuit in Figure 4

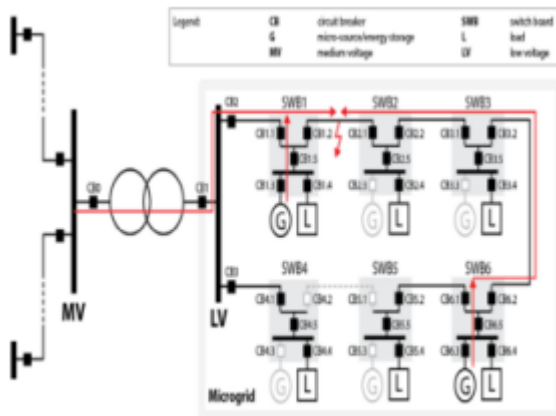


Figure 1. Micro grid system infrastructure.

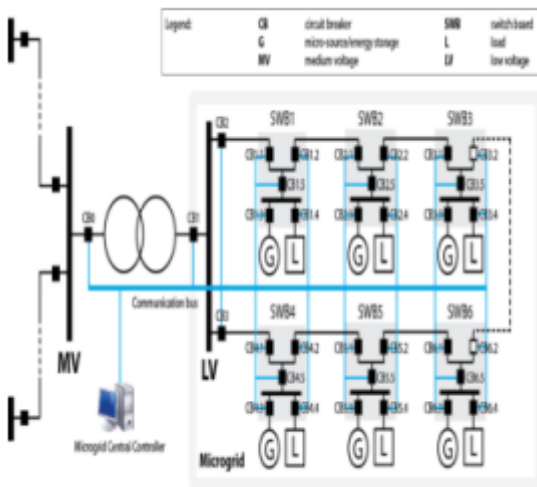


Figure 2. Micro grid system with central controller unit.

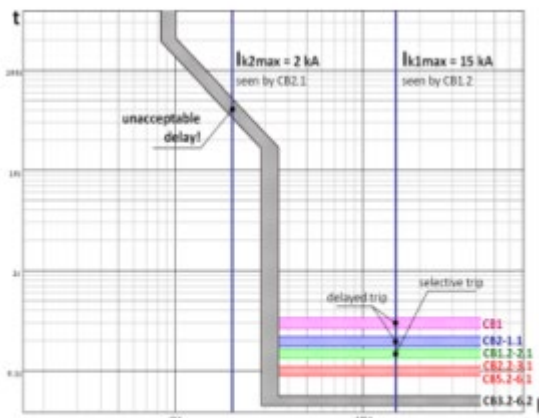


Figure 3. Foundation Event Excursion curve along with Triggering String with directional Overcurrent Security

Now, presume we got three images, two images possess indistinguishable floor yet one has got surface which is diverse. Give you both movies a option to become photograph of confront of two specific people today and also another be viewed over an image of these own engine. After to the LBP top lights are all average separated from each of these 3 photos as well as some histogram is plotted. We notice between equally comparative images and also the blunder isn't as though those images are contrasted to this

page. Both pictures Which Were used are shown follows from Figure 4 [2].

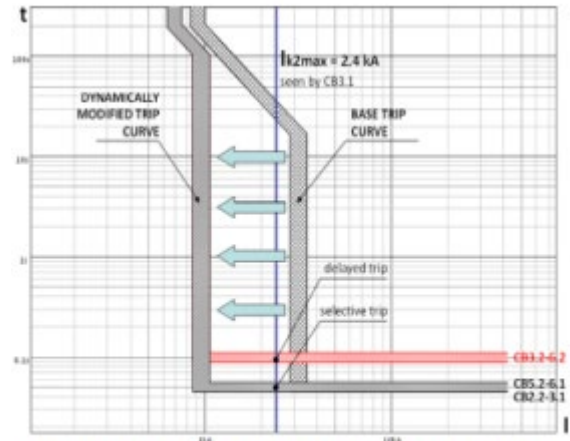


Figure 4. Base case and modified V acation curves and a tripping sequence.

4. Conclusion

Different protection issues that emerge when micro grid is integrated to main grid are talked about and examined in this paper. Regarding distributed generation, the conveyance systems have experienced the progressions over the ongoing decades, alongside the way that a considerable lot of these sources can be associated with frame independent micro grids, have tested this protection point of view. Present day numerical relay ordinarily offer a few settings bunch which can be actuated whenever. It can accomplish instantaneous tripping in various blame and task situation. One of the Problems of micromanage security is to accomplish the project during the whole period of island along with regular actions which might most likely be clarified via active numerical re-lay making use of micro vitality grid staple monitoring along with also device. Inside This paper, a smart micro power grid security method Utilizing electronic R E Laying with fundamental monitoring and control infrastructure Will Be signaled.

References

- [1] Tae-youthful Lee, Kwang-ho Ha, Hyun-jeaYoo, Jong-wan Seo and Myong-chul Shin, "Exploration for Statistics getting gear with Very Little scale Grid framework", fifth Global Conference on Electric and Computer Engineering, IEEE, Bangladesh, 2008, pp. 712-715.
- [2] Xiaoming Yuan along with Yingqi Zhang, "Position and Possibilities of Photovoltaic Inverters at Grid-Tied and Micro-Grid Methods", IEEE Power Electronics and Motion Control Conference, vol.1, Shanghai, 2006, pp. 1-4
- [3] T.K. Panigrahi, A.K. Saha, S. Chowdhury, S.P. Chowdhury, N.Chakraborty, Y.H.Song, S.Byabortta, "A simulink based full-scale system showing and functional analysis utilizing reversible generators," Proceedings of the 41st International Universities Power Engineering Conference, vol. 1, Newcastle, 2006, pp. 222-226.
- [4] A. Nagliero, R. A. Mastromauro, V.G. Monopoli, M. Liserre and A. Dell'Aquila, "Analysis of a inclusive Tank functioning in lattice connected, continue on being lone and smaller scale system", IEEE

- International Symposium on Industrial Electronics, Bari, 2010, pp. 650-657.
- [5] Mazheruddin H. Syed, H.H. Zeineldin Together Side M.S. El Moursi, "Frame-work Code Violation Between Fault Triggered Islanding of Hybrid Micro-lattice", IEEE PES Complex Smart-grid Technologies, Washington-dc, 2013, pp. 1-6.
 - [6] Liu Qiang, Zhou Lin, Guo Ke, " Review to the Dynamic Characteristics of Micro-framework Method", IEEE Conference on Industrial Electronics and Software, Singapore, 2011, pp. 2069-2074.
 - [7] K.Venkateswarlu, J.Krishna Kishore, "Exhibiting and Simulation of Micro Grid System-based on Renewable Electricity Generation Units by using Multilevel Converter", Global Journal of Engineering Research and Engineering, Vol. 1, Issue. 6, August 2012.
 - [8] Ganguly, Somnath, Chandan Kumar Shiva, and V. Mukherjee, "Frequency stabilization of isolated and grid connected hybrid power system models." Journal of Energy Storage 19 (2018): 145-159.
 - [9] Radhakrishna, L., and N. Gopikrishna. "Prefabricating And Testing Of Air Driven Engine." International Journal of Mechanical Engineering and Technology, 8, no 11, (2018): 238-251.
 - [10] Kumar, Pawan, Santanu Dwari, and Pritam Singh Bakariya. "Compact triple-band stacked monopole antenna for USB dongle applications." International Journal of RF and Microwave Computer-Aided Engineering 28, no. 1 (2018): 1-9.
 - [11] Sudhakar, A. V. V., Chandram Karri, and A. Jaya Laxmi, "A hybrid LR-secant method-invasive weed optimisation for profit-based unit commitment." International Journal of Power and Energy Conversion 9, no. 1 (2018): 1-24.